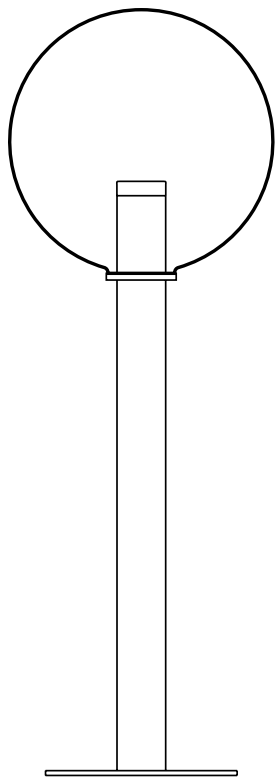


phenomena

Design by
Dechem Studio



bomma

bomma.cz

TECHNICAL SHEET

PHENOMENA

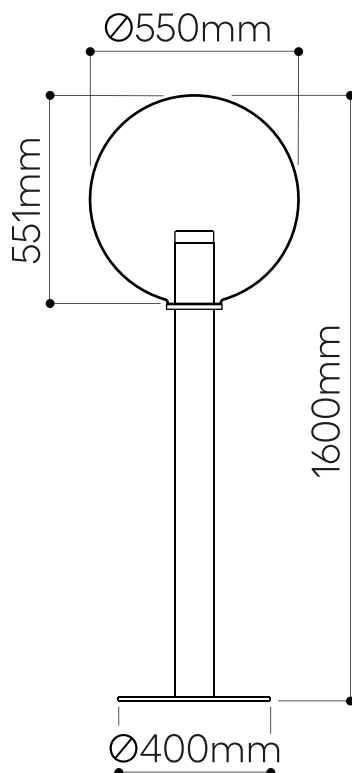
floor lamp large ball

Design by
Dechem Studio

Handmade glass attributes

All Bomma products are hand-made from mouth-blown lead-free crystal. Therefore any small bubbles, non-melts and irregularities in the glass are both proof and a characteristic feature of this traditional craft.

The Phenomena Collection is made by underlying colored glass technology. Thanks to the manual process of blowing underlay glass, each piece is an original. Individual products may vary slightly in intensity, hue or even color. This is an accompanying characteristic of the traditional underlay glass technology.



LIGHTING DESCRIPTION

| | |
|-----------------|--|
| Size | dia. 550 mm, H 1600 mm dia. 21,6 inch, H 63 inch |
| Cable | black textile braid 1,8 m / 70,8 inch |
| Weight | + - 38 kg / 84 lb |
| Glass | mouth-blow lead-free crystal in clear, smoke grey and flamingo pink |
| Mounting | silver (polished stainless steel) brushed silver (brushed stainless steel) gold (polished stainless steel with nitride titan coating) brushed gold (brushed stainless steel with nitride titan coating) |
| Protection | IP 20 |
| Nominal voltage | 220-240V / A.C. 50 hz (EU) 110-120 V / A.C. 60 Hz (USA) |
| Class | II. EU / I. USA |

LIGHT SOURCE

| | |
|-------------|---|
| Type | A60 / A19, 8W led, 800 lm (EU) A60 / A19, 6W led, 600 lm (USA) |
| Base | E27 (EU) / E26 (USA) |
| Wattage | max. 13W |
| Temperature | 2700 K |
| Color index | RA 90+ |
| Dimming | Dimmable with TRIAC ; on demand dimmable with DALI, RF/WIFI, for information on dimming with other systems please contact your Bomma partner. |

PACKAGING

| | |
|----------|---|
| Material | Cardboard |
| Size | 780 × 660 × 660 mm 30,7 × 26 × 26 inch 1260 × 430 × 440 mm 49,6 × 16,9 × 17,3 inch |

Origin: traditionally produced in the Czech Republic
Intellectual property license holder: Bomma Czech Republic (EU)
Represented by BMRC group s.r.o.

CERTIFICATES

